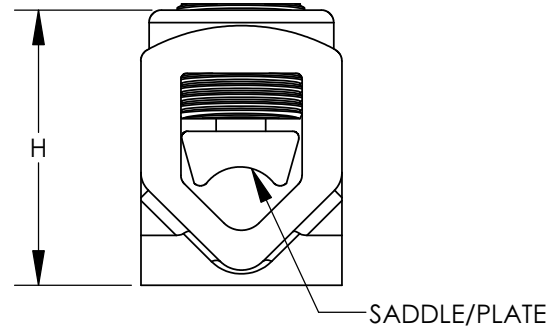
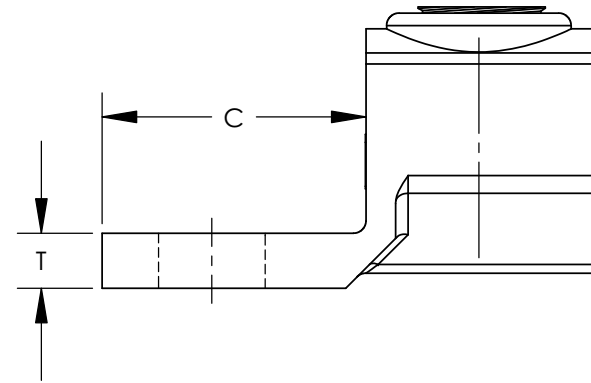
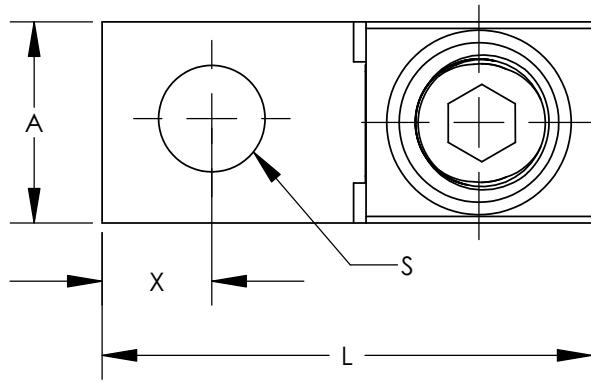


THIS COPY IS PROVIDED ON A RESTRICTED BASIS AND IS NOT TO BE USED IN ANY WAY DETRIMENTAL TO THE INTERESTS OF PANDUIT CORP.



**NOTES:**

1. UL LISTED
2. MATERIAL: CAST COPPER
3. FOR COPPER WIRE ONLY
4. SADDLE/PLATE PROVIDES UNIFORM CLAMPING FORCE WITHOUT DISTORTING CABLE SHAPE.



CATALOG NUMBER	CONDUCTOR RANGE	NAVY CABLE SIZE	APPROXIMATE DIMENSIONS							WRENCH SIZE	TORQUE VALUE IN-LBS
			A	C	S	H	L	X	T		
HL8-1-X	4 SOLID - 1 STR.	50-75	0.75	0.69	0.28	0.9	1.56	0.34	0.22	7/16	100
HL13-1-5	1 STR - 2/0 STR	100-125	0.81	0.88	0.41	1.14	1.88	0.44	0.22	9/16	250
HL21-1-5	2/0 STR - 4/0 STR	150-200	1.00	1.00	0.44	1.31	2.19	0.50	0.25	9/16	250
HL30-1-2	4/0 STR - 300kcmil	250-300	1.06	1.25	0.56	1.47	2.50	0.63	0.31	5/8	350
HL50-1-2	300kcmil - 500kcmil	400-500	1.38	1.50	0.56	1.65	3.00	0.75	0.34	3/4	480

REV	DATE	BY	CHK	DESCRIPTION	ECN
06	7/08	JHNU	JHNU	REMOVED HL1-25-X & HL4-1-X; MOVED TO DWG C41758 CONVERTED DRAWING TO SOLIDWORKS	

**PANDUIT CORP. TINLEY PARK, ILLINOIS**

ONE BOLT HOLE PREMIUM CONNECTOR TYPE HL  
(HL8-1-X, HL13-1-5, HL21-1-5, HL30-1-2, HL50-1-2)  
CUSTOMER DRAWING

SCALE N/A      DRAWING NO / CAD FILE C41181\_06